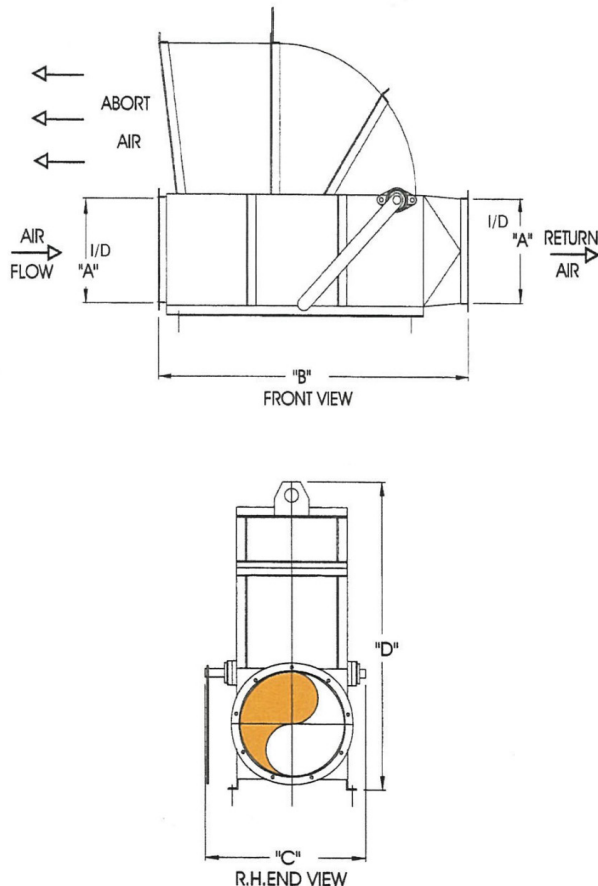


ABORT DAMPERS

The N.R. Murphy Limited Abort Damper, when installed in the return air line of a dust collection system, is an instant aborting device which bypasses the return air to atmosphere when activated by a properly installed and maintained fire or spark detection and extinguishing system. Fabricated from heavy gauge reinforced steel, this accessory is designed to enhance the safety and protection of both your employees and your manufacturing facility. The Abort Dampers can also be actuated in the summer months to allow the cleaned air to exhaust to atmosphere when windows and doors can remain open (NOTE: the damper should be manually actuated and reset only when the exhaust system has been turned off). Available in a wide variety of sizes and configurations.



A - Size	B - Length (in)	C - Width (in)	D - Height (in)	Weight (lbs)
11	43	20 1/2	37 3/4	195
13	47	22 1/2	41 3/4	240
15	50	24 1/2	44 3/4	290
17	54	26 1/2	49 1/4	350
19	57	26 1/4	51 1/4	425
21	62	28 1/4	57 1/4	480
23	67	30 1/4	61 1/4	545
26	74	35 1/4	66 1/4	710
29	81	38 1/4	72 1/4	825
33	91	42 1/4	80 1/4	1010
38	97	47 1/4	89 1/4	1150
42	104	51 1/4	97 1/4	1350
46	110	55 1/4	105 1/4	1480
48	107	58 1/2	111 1/4	1545